



Repeat pattern wallpaper Installation guide

Take a moment to read through this guide before hanging to ensure that you understand the entire process. If you are unsure of any of the steps, please get in touch with our customer service team who will be happy to help.

General preparation

Ensuring the wall is smooth, clean and completely dry is key for a successful installation. The surface should be free from old backing paper and contaminants such as dirt, dust, grease, mildew, ink stains; any of these can prevent adhesion taking place.

1. Remove nails / screws and fill in any cracks.
2. Switch off the electricity mains and remove any socket / switch covers.
3. Sand down any rough areas until smooth.
4. Use a sponge to clean the walls with warm water and mild soap, allow the walls to dry for a minimum of 24 hours.
5. Paint the wall a light uniform colour if it differs significantly from your wallpaper as dark patterns / colours may show through.

Important: Allow the wallpaper to acclimatise in the room it will be applied in for a minimum of 24 hours before application. To do this, take the wallpaper out of the packaging and slightly unravel.

Wall surfaces

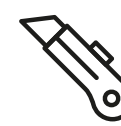
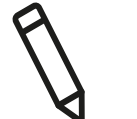
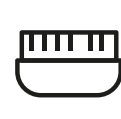
Emulsion paint: Freshly painted walls should be left for 4 weeks before application, please refer to the paint manufacturers instructions for guidance. Follow general preparation instructions.

Porous surface (plaster, cement render): Ensure old plaster is stable and free of mould and new plaster is completely dry. Cement render / concrete should be sanded smooth. Seal the wall with a primer or diluted paste (also known as wall size). Allow the primer to completely absorb / dry, this will stop paste being absorbed during installation.

Plasterboard: Spackle / fill in any screw holes and joints between plasterboards. Smooth and seal the wall with a primer or diluted paste (also known as wall size). Allow the primer to completely absorb / dry, this will stop paste being absorbed during installation.

Recommended Tools

- Straight edge
- Sharp knife (Stanley/craft)
- 'Paste the wall' adhesive
- Bucket
- Plumb line or spirit level
- Plastic smoother (with felt edge)
- Clean, damp microfiber cloth
- Pasting brush or roller



Lay out your wallpaper

1. Measure the height of the wall with a tape measure. If you are wallpapering a large area measure the height of the wall in several places, as it could differ if the wall is not completely straight. Add 100mm of excess to the measurement to allow for the variations in height.

2. Unroll the wallpaper and mark this measurement on the back and cut your first strip.

3. Unroll the next length then place it edge-to-edge with the first strip and match the pattern. Use the bottom edge of the first strip as a guide to cut the second length. Continue cutting the rest of the strips.

4. Lay out all of the wallpaper to check the image matches before installation. **If you notice any inconsistencies within the print, please do not install.** Our customer service team can assist you with any problems. **Under no circumstance can we compensate installation fees from third parties.**

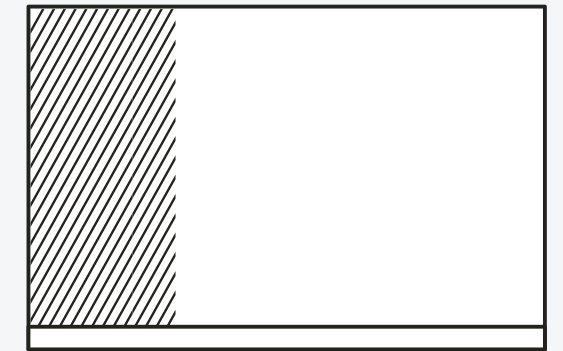
For example



Paste the Wall

5. Ensuring that the first strip is hung straight is vital for successful installation of your wallpaper. Mark a strip's width on the wall with a pencil then hold a plumb line or spirit level on the mark to draw a vertical line down. This will give you a guide when hanging the first strip to ensure it's hung straight.

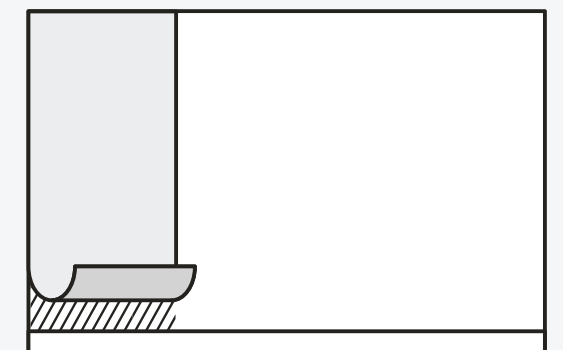
6. Using a brush or roller, evenly apply wallpaper paste directly to the wall surface, covering a few inches past the first marked section. A smooth, even coat is essential for reducing the possibility of bubbling.



Hang the first strip

7. Line up your first strip with the penciled guideline and start to hang from the top and work downwards. Carefully smooth away any bubbles or ripples using the plastic smoother tool or a soft cloth.

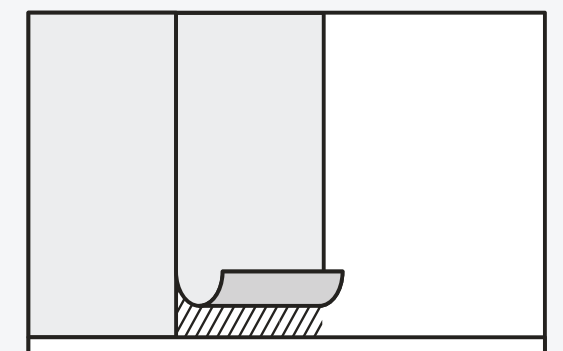
Important: Do not pull or stretch the material during installation. Work from the top and allow the wallpaper to fall naturally, taking particular care to avoid scuffing or scratching the printed surface.



Butt up the strips

8. When hanging multiple strips: hang them edge to edge as **there is no overlap** in a butt joint. Visually match the pattern on the wall then firmly press together so that the seams are not visible. Again, smooth out any bubbles with the wallpaper tool or a soft cloth.

9. Try to avoid getting paste on the surface of the wallpaper. Any excess paste that does get on the print, gently wipe away with a clean damp cloth as soon as possible.



Repeat until finished

10. Continue the previous stages for each strip until they are installed. Continue to smooth and wipe away excess as you go.

11. Trim away any excess paper at the top and bottom of each strip using a sharp knife. **Dull blades can cause the paper to tear.**

Allow for drying at room temperature, ensuring there is lots of ventilation. If there is a heat source such as a radiator on the same wall as the wallpaper, turn it down or off for the first 24 hours of drying, this will reduce the possibility of shrinkage.

Sit back and enjoy your handiwork!

